

QBF-36800-40200-58

36.8~40.2GHz, 58dBc

Features:

- * High Stopband Rejection
- * Small Size

Applications:

- * Telecom
- * Laboratory Test
- * Receivers
- * Instrumentation

Electrical

Passband:	36.8~40.2GHz
Passband Insertion Loss:	2dB max.
Passband Ripple:	0.3dB max.
VSWR:	1.5 max.
Stopband Attenuation :	58dBc@DC~35.2GHz min. 58dBc@42~67GHz min.

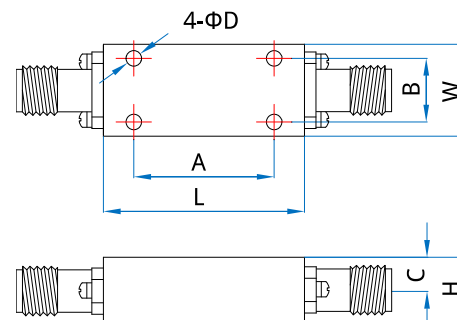
Mechanical

RF Connectors:	2.92mm Female
Mounting:	4* Φ 2.3mm through-hole

Environmental

Operating Temperature:	0~+55°C
Non-operating Temperature:	-55~+85°C

Outline Drawings



Size	L	W	H	A	B	C	D
mm	21.4	14.6	9.8	8	8.6	4.8	2.3
in	0.843	0.575	0.386	0.315	0.339	0.189	0.091

Unit: mm [in]

Tolerance: ± 0.2 mm [± 0.008 in]

How To Order

QBF-36800-40200-58

Customization is available upon request.